



# Sign Fixing Methods

A simple overview of the alternative methods used to install a sign

Technical Brochure

Flat Cut Letters

# Plastic Locators

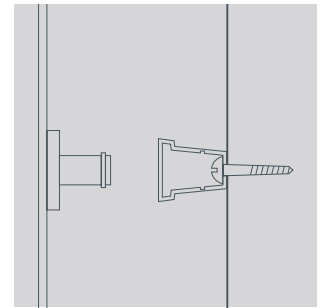


Industry standard, acrylic male and polythene female

- Suitable for use with acrylic, composite and Foamex
- Suited to smooth, reasonably flat walls
- Not suited to uneven walls such as Yorkstone
- A marked fixing template will be supplied
- Indoor and outdoor use
- Letters / panels will stand off the wall

**+ Easy to fit**

**- Not recommended for larger letters fitted externally**



Flat Cut Letters

# Brass/Nickel Locators

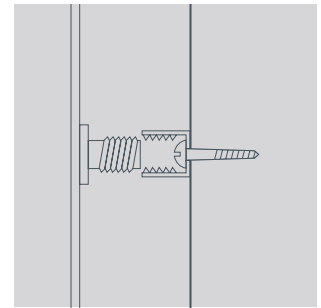


Industry standard, brass male and female

- Suitable for use with metals only
- Suited to smooth, reasonably flat walls
- Not suited to uneven walls such as Yorkstone
- A marked fixing template will be supplied
- Indoor and outdoor use
- Letters / panels will stand off the wall

**+ Excellent strength and longevity**

**- Sometimes visible on small narrow letters**



Flat Cut Letters

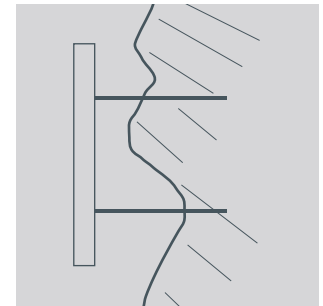
# Stud Fixings



Threaded studs in various lengths are stud welded to the rear of the letter

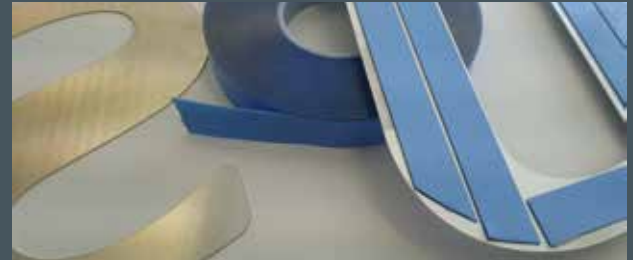
- Suitable for use with metal only (minimum stroke width 9mm)
- Suited to all wall types, smooth and uneven
- A marked fixing template will be supplied
- Indoor and outdoor use
- Letters are stood off or flush to the wall

- + **Neat way of fitting letters too thin for locators**
- **Letters can be removed from a tray sign, but would be difficult to remove from a stone wall**



Flat Cut Letters

VHB



Various tapes and thicknesses available to suit a multitude of applications

- Suitable for use with most materials
- Suited to smooth, reasonably flat walls.
- Not suited to uneven walls such as Yorkstone
- A vinyl Applimask type fixing template can be supplied
- Indoor and outdoor use
- Letters will be flush to the wall

**+ Neat way of fitting letters with invisible fixings**

**- Specific surface preparation required; fitting can be disrupted by poor weather**



Flat Cut Letters

# Face Fix

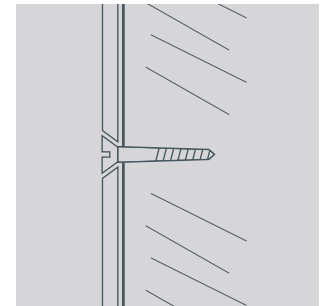


Letters to be drilled through the face by fitter  
Letters can be supplied with or without fixing holes

- Suited to smooth walls surfaces only
- A marked fixing template will be supplied
- Indoor and outdoor use
- Fixing holes can be countersunk

**+ A 'belt and braces' method of fixing large letters at high elevations**

**- Fixings will be visible at close range**



Flat Cut & Built Up Letters

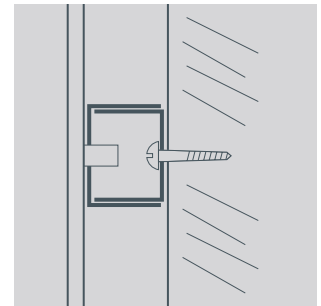
# Fixing Rails



Letters are prefixed to a rail / rails

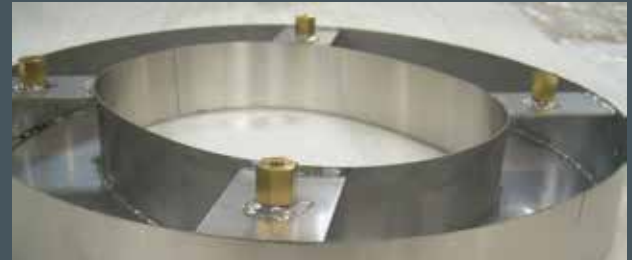
- Suited to most wall types
- Used to hide wiring on illuminated letters
- Reduces drilled holes in the building
- Indoor and outdoor use

- + Often suitable for listed buildings
- + Fitting time vastly reduced on site
- Rails visible



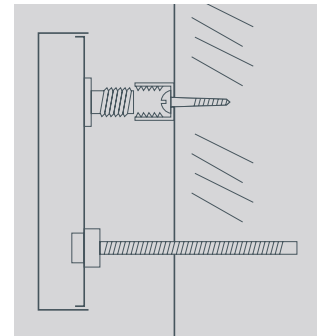
Built Up Letters

# Bridges



## Industry standard

- Adapted to smooth and uneven walls
  - Bridges can accommodate locators or stud fixings
  - A marked fixing template will be supplied
  - Indoor and outdoor use
  - Letters are stood off or flush to the wall
- + Excellent strength and longevity**
- Advice should be taken if letter height exceeds 500mm**





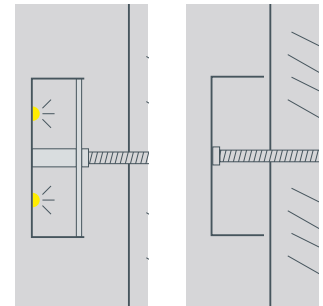
Built Up Letters

## Stud / LED Fixings



Threaded studs in various lengths are stud welded to the rear of the letter

- Suited to all wall types, smooth and uneven
  - A marked fixing template will be supplied
  - Indoor and outdoor use
  - Letters are stood off or flush to the wall
- + No visible screws through the returns of the letter**
- + Can be adapted with a back tray for halo illumination**
- Letters can be removed from a tray sign, but would be difficult to remove from a stone wall**



Built Up Letters

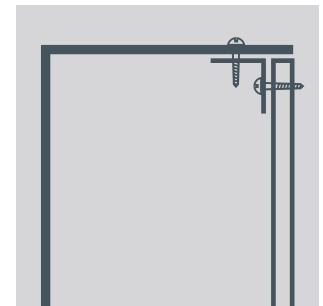
# Backtrays



A flat component made from a multitude of materials that is fixed to the wall first

- Suited to smooth wall surfaces only
- CAD drawn template can be supplied
- Indoor and outdoor use
- Letters are stood off or flush to the wall

- + **Good for letters visible from behind**
- **Screws visible through the returns at close range**



Tray and Fascia Signs

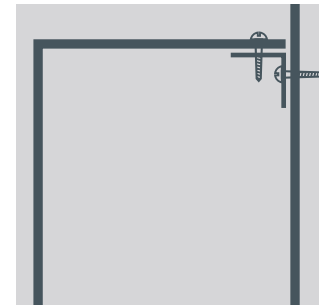
# Angle



The simplest way of discreetly fixing a tray sign

- Suited to smooth, flat walls only
- Quick fixing time
- Indoor and outdoor use
- Trays / fascia signs are flush to the wall

**+ Fitting time vastly reduced**



Tray and Fascia Signs

# Fixing Flange/ Upstand

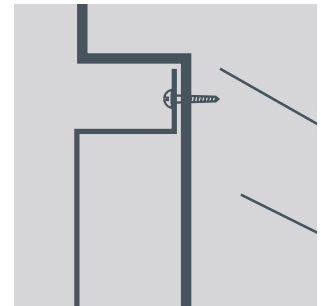


Used when access to the top and bottom returns are restricted (i.e in a tight recess)

- Suited to smooth, flat walls only
- No need for a backtray
- The face of the tray is reduced in size to accommodate the size of the upstand
- Trays / fascia signs are flush to the wall

**+ Fitting time vastly reduced**

**- Upstand may be visible at close distance**



Tray and Fascia Signs

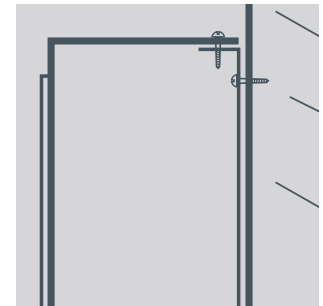
# Fabricated Backtray



A thorough, traditional way of fitting a tray sign

- Can accommodate slightly uneven walls
- Used to house electrics, illumination and wiring
- Discreet fixing method

- + **Transformers can be hidden in the back tray**
- + **Fitting time vastly reduced**



Fixing type	Smooth Walls	Uneven Walls	Indoor Use	Outdoor Use	Invisible	Faster Fix Time	Template Required
<b>Flat Cut Letters</b>							
Snap Fix Locators	✓	x	✓	✓	✓	x	✓
Brass/Nickel Locators	✓	x	✓	✓	✓	x	✓
Stud Fixings	✓	✓	✓	✓	✓	x	✓
VHB/Foam Tape	✓	x	✓	✓	✓	x	✓
Face Fix	✓	x	✓	✓	x	x	✓
Fixings Rails	✓	✓	✓	✓	x	✓	x
<b>Built Up Letters</b>							
Brass/Nickel Locators with Bridges	✓	x	✓	✓	✓	x	✓
Stud Fixings with Bridges	✓	✓	✓	✓	✓	x	✓
Backtrays	✓	x	✓	✓	✓	x	✓
Fixing Rails	✓	✓	✓	✓	x	✓	x
<b>Tray and Fascia Signs</b>							
Angle	✓	x	✓	✓	x	?	x
Fixing Flange/Upstand	✓	x	✓	✓	x	?	x
Fabricated Backtray	✓	✓	✓	✓	x	?	x

---

For more information on Applelec's products, please get in touch:

 01274 774 477

 [sales@applelec.co.uk](mailto:sales@applelec.co.uk)

 [www.applelec.co.uk](http://www.applelec.co.uk)

---

 **Postal address:**

Applelec

Unit 1, Wharfedale Business Park

Shetcliffe Lane

Bradford

West Yorkshire

BD4 9RW

