



SOLED Edge Lit Kit

LED edge lighting kits are used to illuminate text or designs etched in acrylic

Product Brochure

A fascinating interplay between LED lighting and architectural design



Applelec's edge lighting system comprises a curved (oval), round or square extruded aluminium profile fitted with white or coloured LEDs.

The system is attached to the edge of an acrylic panel featuring an etched design and once illuminated, light from the LEDs shines across the panel, picking out the detail of the surface etching.

The edge lit kit can be fitted to acrylic panels with a depth of 5mm or 10mm due to adjustable fixings within the aluminium profile. The three styles of profile, curved (oval), round and square, are supplied in silver anodised aluminium or may be painted according to project requirements.



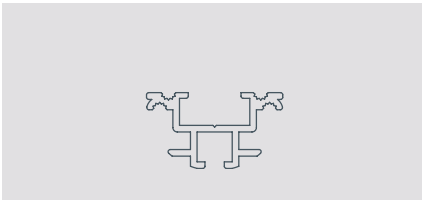
Edge light systems are regularly used for directional signage and safety signage such as fire exit signs due to their lightweight construction and the low energy consumption of the LEDs. The units can be used to create free standing signs or hanging and projecting signs suitable for mounting to walls or ceilings.

Applelec is unable to supply the etched acrylic panels used with edge lit systems but is happy to provide cost effective recommendations for this service.

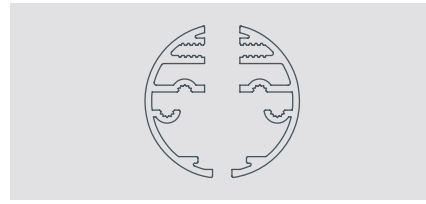
Key Features

- Curved (oval), round or square edge lit kits
- Perfect for hanging and projecting signs
- Suitable for 5mm and 10mm acrylic depths
- Lightweight and energy efficient
- Used for directional and safety signage
- Mix and match profiles

Profiles



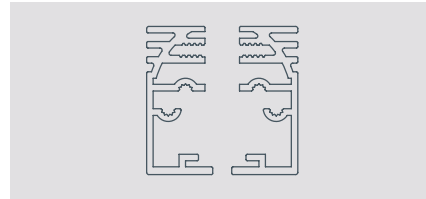
Basic



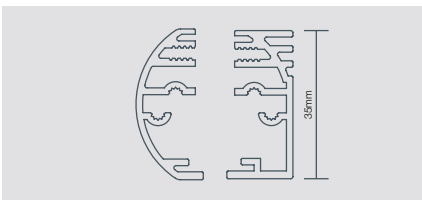
Round



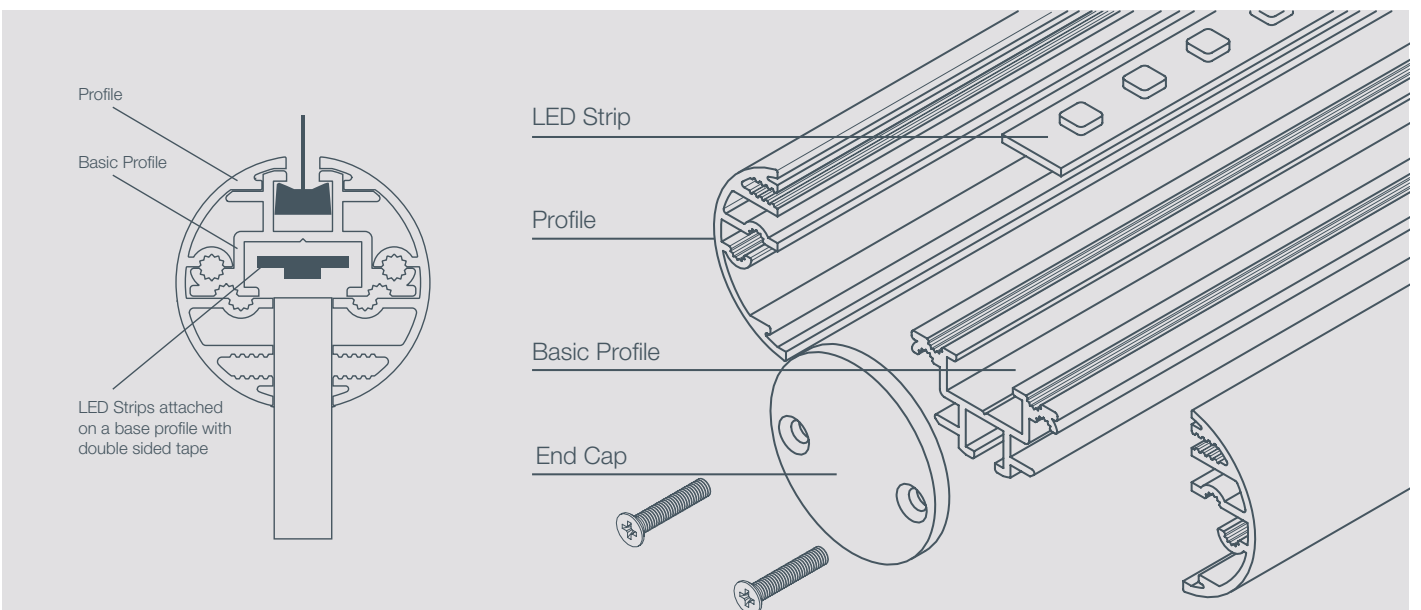
Curved (oval)



Squared



Curved & Squared



For more information about our SOLED Edge Lit Kits or any other Applelec product, please get in touch:

 01274 774 477 (Northern Office)

01442 500 050 (Southern Office)

 sales@applelec.co.uk

 www.applelec.co.uk

Northern Office:
Applelec
Appleby House
Walker Terrace
Bradford, West Yorkshire
BD4 7HP

Tel: 01274 774 477
Fax: 01274 774 478
sales@applelec.co.uk
www.applelec.co.uk

Southern Office:
Applelec
Suite 12, George House
High Street
Tring, Hertfordshire
HP23 4AF

Tel: 01442 500 050
Fax: 01442 822 501
sales@applelec.co.uk
www.applelec.co.uk