



Fairground cabochon bulbs & signage

Cabochon LED lights for fairground style letters and signage,
suitable for internal and external applications

Technical Brochure

Cabochon Bulbs



Cabochon light LED signage and lettering creates a retro fairground look that's seen a sharp rise in popularity over recent years.

Applelec supplies LED cabochon bulbs as individual components or within fabricated signage, such as built-up letters and decorative shapes, according to customer design requirements. Our range includes 45mm and 60mm diameter bulbs which are suitable for both internal and external applications.

Particularly suited to retail and leisure applications, LED cabochon bulb letters and signage provide the retro look of vintage fairground lighting but with the long life and low energy of LED. When mounted into distressed style built-up lettering, in unfinished cold rolled steel, cabochon light signage is ideal to enhance an industrial bar design or visual merchandising system.

Lettering and shapes illuminated with cabochon bulbs can be paired with appropriate lighting controllers to create flashing, chasing and dimming effects, with programming managed by Applelec's technical team if required.

A choice of warm white or ice white LED colours are available with 12 lens colour options including, clear, white, red, blue, yellow, green, purple, orange, fuchsia and phosphorous yellow, orange and pink.

The 45mm diameter cabochon bulb features an E10 flat horizontal circuit SMD LED, whilst the 60mm diameter cabochon bulb features an E14 flat horizontal circuit SMD LED. The working voltage is 24V.

Key Features

- 45mm or 60mm diameter bulbs
- Internal or external use
- Warm white or ice white LED options
- A choice of 12 lens colours
- 24V

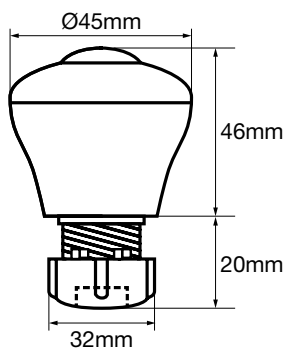
Cabochon Bulbs 45mm



Technical details

Illumination:	E10 Flat horizontal circuit SMD LED
Dimensions:	45mm (w) x 45mm (d) x 66mm (h)
Working Voltage:	24V
Fastening:	Mechanical
Cut out size:	16mm diameter
Max panel thickness:	5mm
LED Colour:	Warm white or ice white
Material:	Transparent Methacrylate PMMA

Available colours

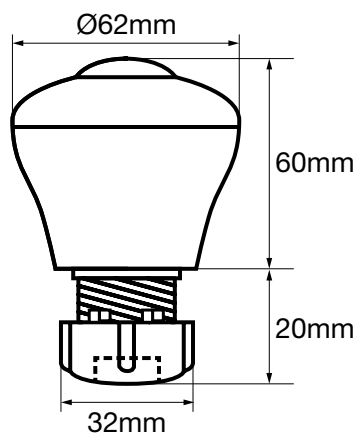


Cabochon Bulbs 60mm



Technical details

Illumination:	E14 Flat horizontal circuit SMD LED
Dimensions:	45mm (w) x 45mm (d) x 66mm (h)
Working Voltage:	24V
Fastening:	Mechanical
Cut out size:	20mm diameter
Max panel thickness:	8mm
LED Colour:	Warm white or ice white
Material:	Transparent Methacrylate PMMA




Available colours



The colours shown above are a representation only.

For more information on Applelec's products, please get in touch:

 01274 774 477

 sales@applelec.co.uk

 www.applelec.co.uk

 Applelec
Unit 1, Wharfedale Business Park
Shetcliffe Lane
Bradford
West Yorkshire
BD4 9RW