



I-Sign Display

Create large format frames with I-Sign Display, a stylish and sturdy frame profile.

Product Brochure

Elegant but robust framing profiles



I-Sign Display is the perfect solution for edge-to-edge frames or displays

A stylish and sturdy extruded profile, I-Sign Display can be used for the creation of bespoke single or double-sided large format frames and stencil-cut light-boxes.

The frames accommodate 5mm thick printed panels and with a slim frame profile, I-Sign Display is perfect for edge-to-edge framing features. The profile compliments the off-the-shelf I-Sign Flex range and can be used for internal or external applications.

I-Sign Display profiles can be purchased in 2.5m kit form lengths or cut to the size required and supplied ready for self-assembly. Alternatively, the frames can be fully constructed to required dimensions. The frames are easy to mount using mechanical fixings or for smaller sizes, double-sided VHB tape may be suitable. Illumination can be added by fitting LED Light



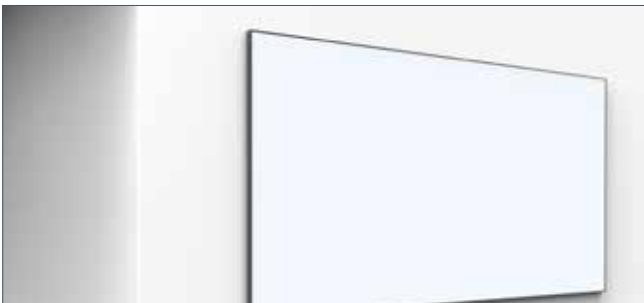
Sheet or appropriate LED modules into the frame.

Maintaining the elegant I-Sign look, this system is used for framing larger size panels making it suitable for museums, galleries and interior decoration applications. In a double-sided version the I-Sign Display profiles can be used to create the ultimate light-box, suitable for airports and shopping centres.

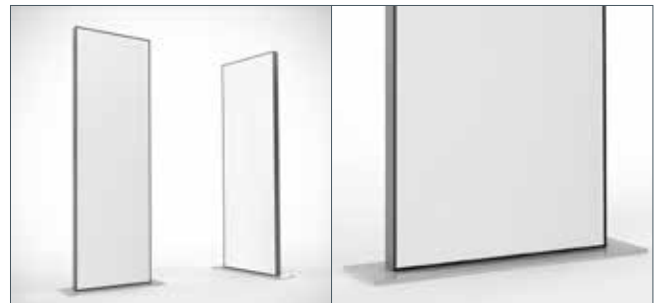
Key features

- Elegant but sturdy frame profile
- Accommodates 5mm thick materials
- Ease of installation
- 2.5m profiles can be purchased in kit form or cut lengths
- Pre-constructed frames available

I-Sign Display Features



1. Elegant but sturdy frame for big sized applications without visible fixtures, hiding the unfinished edges of the panels used.



4. Create stylish non-illuminated interior totems.



2. The frames are easy to mount using mechanical fixings or for smaller sizes, double-sided VHB tape



3. Illumination can be added by fitting LED Light Sheet or LED modules such as SloanLED Posterbox Slim LEDs into the frame.



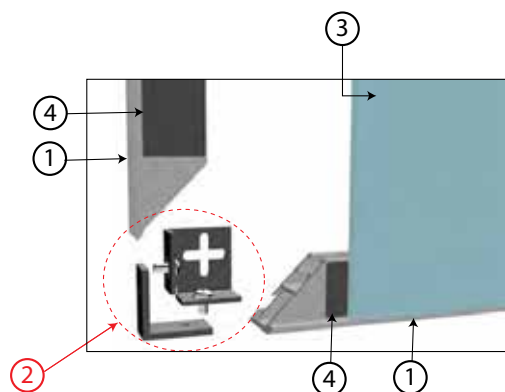
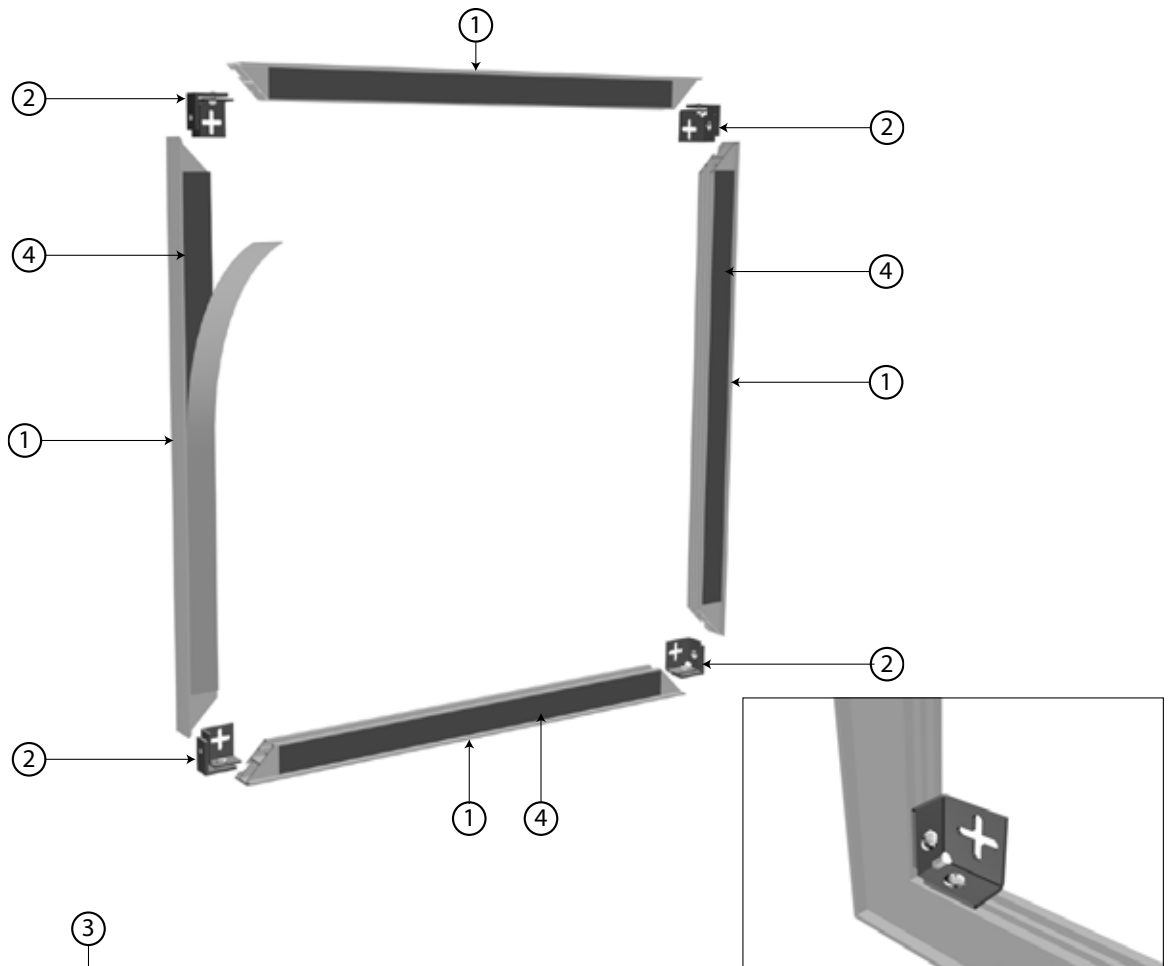
I-Sign Display Available Products

Kit form

Code	Description	Misc.
ID-SS2000	I-Sign Display single-sided profile	Supplied in 2.5 metre lengths
ID-DS2000	I-Sign Display double-sided profile	Supplied in 2.5 metre lengths
ID-SSCORNER	Inside corner fixing for I-Sign Display single-sided	4 fixings per pack
ID-DSCORNER	Inside corner fixing for I-Sign Display double-sided	4 fixings per pack
DUALLOCK	3M Thin Duallock SJ4570 tape - 25mm x 45 metres	1 roll

For construction details of kit form products please refer to the following concept drawings

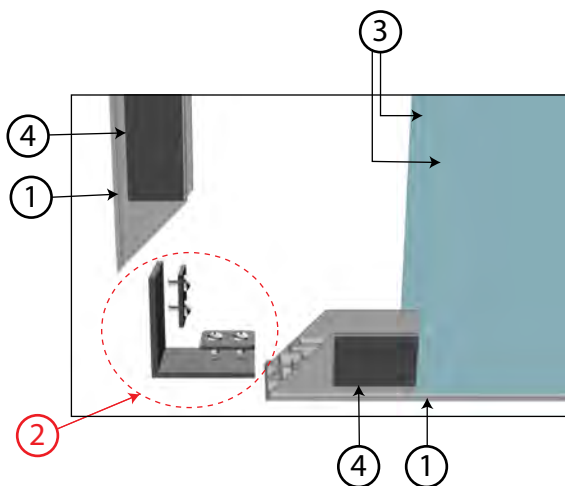
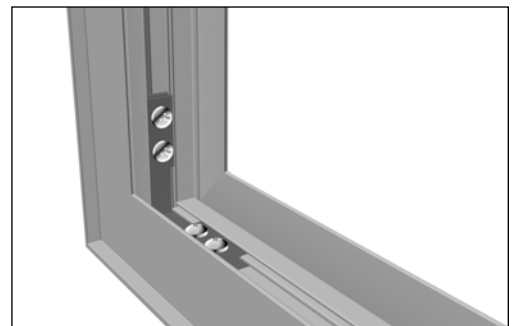
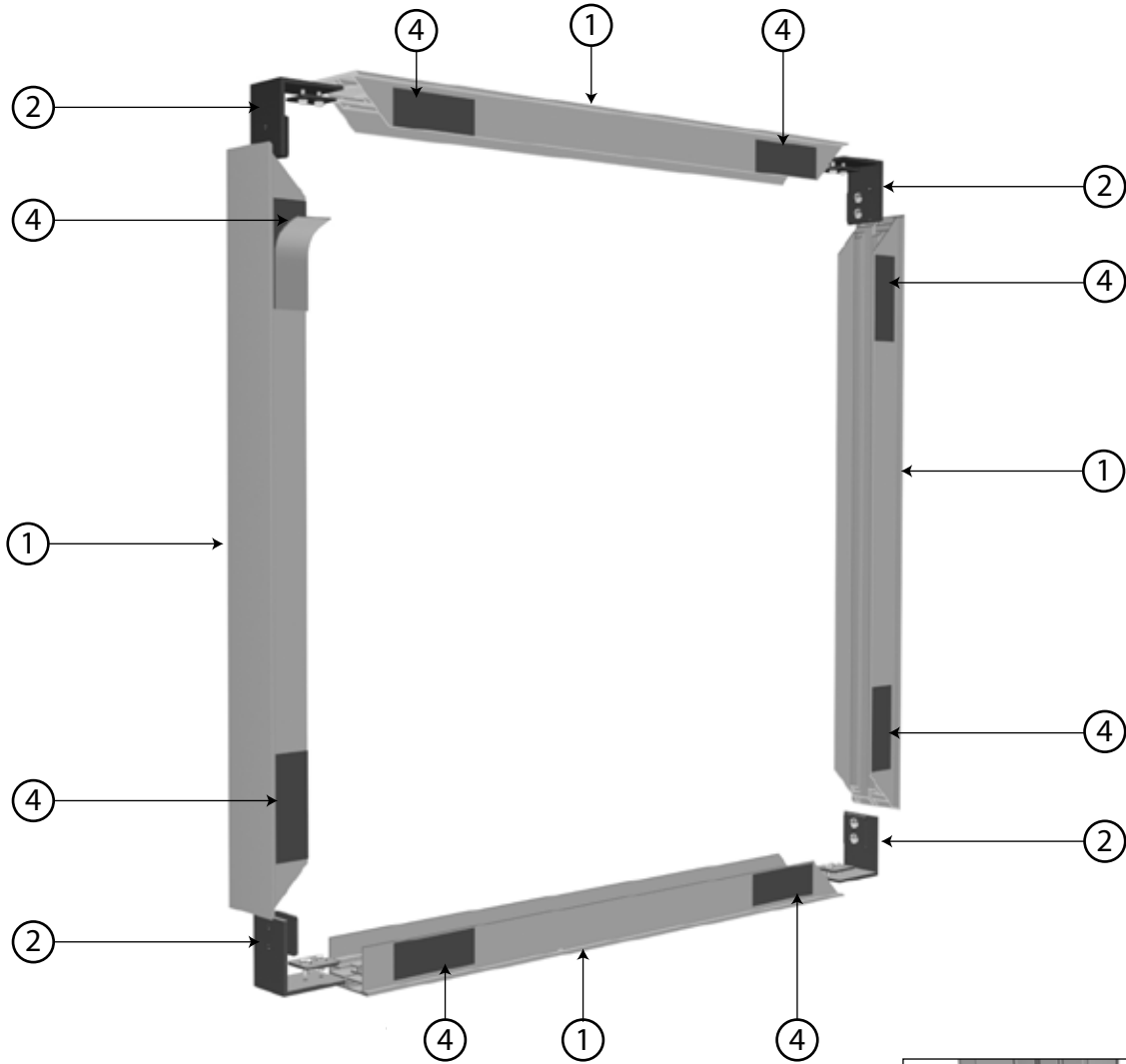
I-Sign Display Single-sided



Item No.	Code	Description
1	ID-SS	Single sided profile
2	ID-SS CORNER	Inside corner fixing single-sided
3		3mm panel
4		3M double-sided tape

I-Sign Display Concept Drawings Cont.

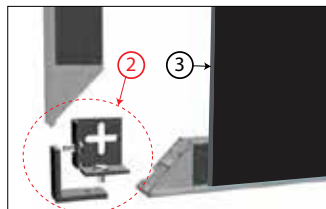
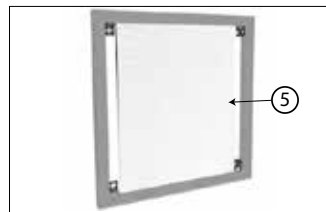
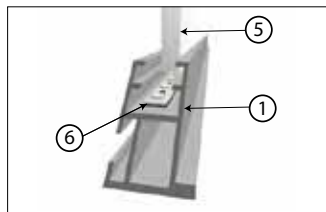
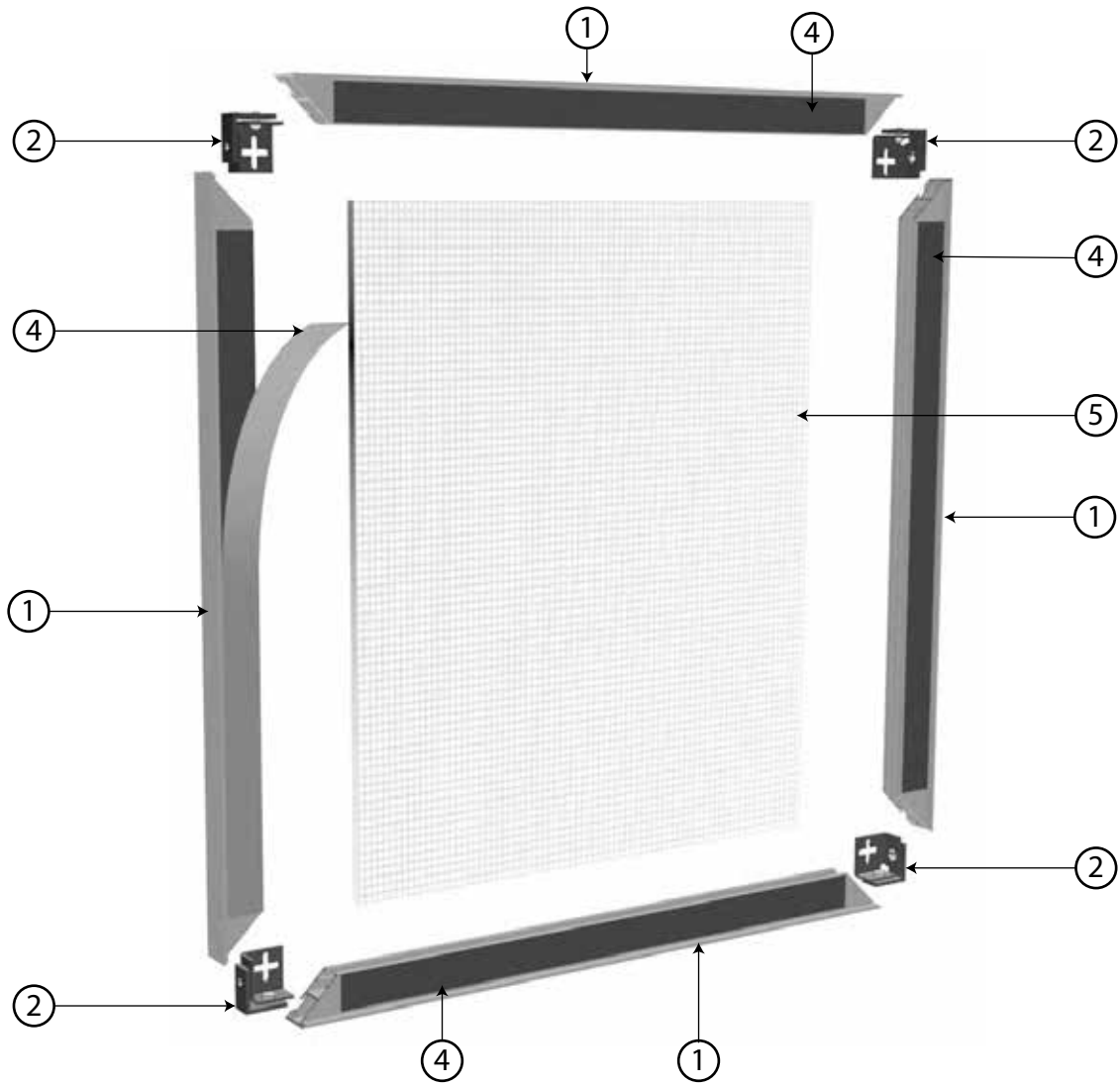
I-Sign Display
Double-sided



Item No.	Code	Description
1	ID-DS	Double-sided profile
2	ID-DS CORNER	Inside corner fixing double-sided
3		3mm panel
4		3M Dual Lock low profile

I-Sign Display Concept Drawings Cont.

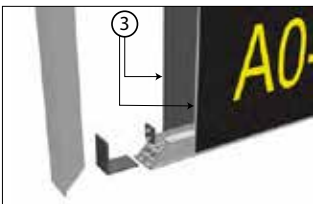
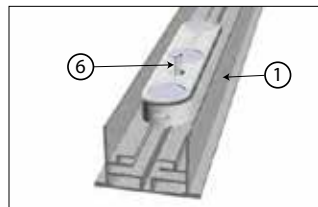
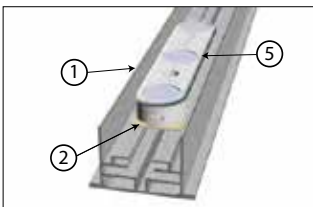
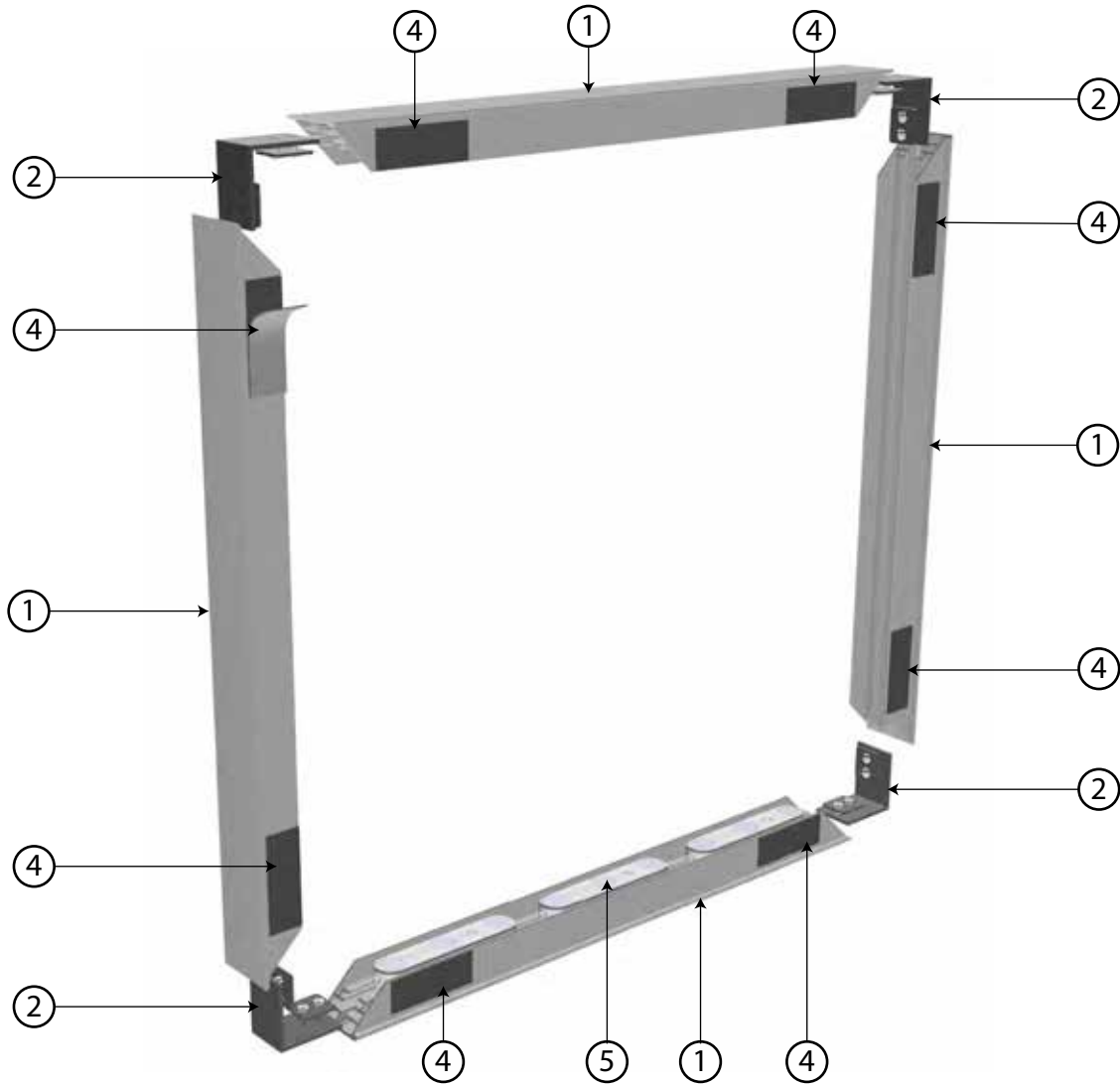
I-Sign Display
Single-sided illuminated



Item No.	Code	Description
1	ID-SS	Single-sided profile
2	ID-SS CORNER	Inside corner fixing single-sided
3		3mm Panel
4		3M double-sided tape
5		LED Light Sheet
6		Led strip

I-Sign Display Concept Drawings Cont.

I-Sign Display
Double-sided illuminated



Item No.	Code	Description
1	ID-DS	Double-sided profile
2	ID-DS CORNER	Inside corner fixing double-sided
3		3mm Panel
4		3M Dual Lock low profile
5		Sloan PosterBox Slim LED Module
6		Screw