



Variomount

A new and versatile wall panel mounting system designed for LED Light Sheet

Technical Brochure

Designed to wall mount LED Light Sheet panels



An elegant solution to bring light to interior walls and fixtures, Variomount is ideal for illuminated kitchen splash backs, vanity units and decorative wall schemes.

Variomount combines illuminated LED Light Sheet panels with sleek aluminium profiles to build modular wall features by mounting single or multiple rows of lit panels. In multi-row installations, central mounting profiles may be fitted with glass shelves to create illuminated shelving systems.

As a straightforward mounting solution for LED Light Sheet, Variomount has been designed with ease of installation at its core. Each Variomount profile features a 13mm recess enabling panels of LED Light Sheet, glass and other surface materials at this maximum thickness to be mounted using the system.

Only three profiles types are required to create many different designs. These include a top or bottom profile, an intermediate profile and a side profile. In addition, the system is assembled with no visible fixings to create seamless wall installations.

For wet environments, such as kitchens and bathrooms, the LED Light Sheet panel is created to an IP67 rating to ensure no moisture can penetrate the light source. LED Light Sheet mounted with Variomount can be dimmed or, when used to display colour-changing LED Light Sheet, it can be programmed to run colour sequences.

Key features:

- Mount single or multiple rows of lit panels
- Silver anodised aluminium profiles
- Maximum profile length 2980mm
- Glass shelves can be inserted
- Seamless design with no visible fixings

LED Light Sheet

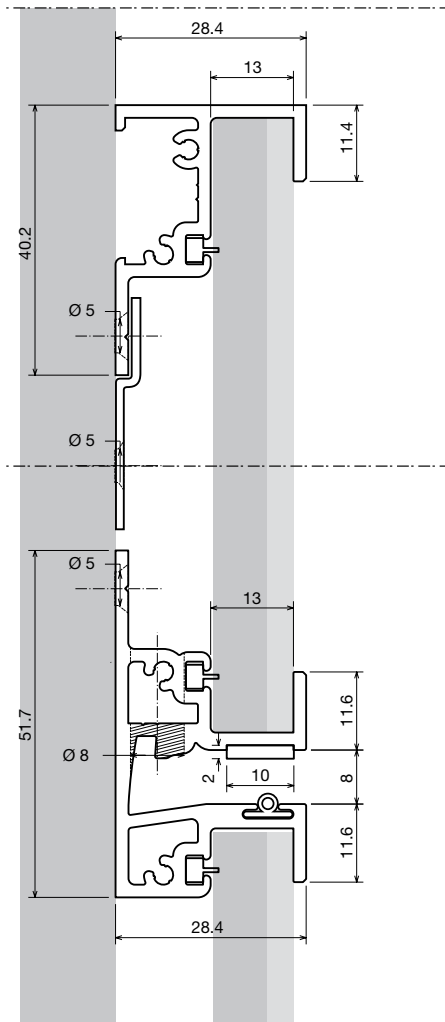


Created to bespoke specification, LED Light Sheet is available in depths of 6mm and 8mm with white LEDs or a depth of 10mm with colour-changing LEDs. For information on this flat light source visit: www.ledlightsheet.co.uk

Top/bottom and intermediate profiles in silver anodised aluminium are used to mount rows of lit panels.



Part No.	Description	Length
D1313ARCO	Top/Bottom profile	2980mm
D1312ARCO	Intermediate profile	2980mm





Side profiles in silver anodised aluminium. Side profiles are fixed into position using the top/bottom bracket and side bracket with Velcro.

Part No.	Description	Length
PLXBOILARSCO	Side profile	2980mm



Top/bottom bracket in silver anodised aluminium. Top/bottom brackets are used to secure side profiles to the mounted panel system.

Part No.	Description	Quantity
AXBOILARSCO	Top/bottom bracket	1



Aluminium Z-section used to secure the top fixing profile. The top profile hooks onto mounted Z-Vario for a seamless installation.

Part No.	Description	Length
Z-Vario	Z-section	2980mm



Side bracket with Velcro in silver anodised aluminium. Side brackets are used to secure side profiles to the mounted panel system.

Part No.	Description	Quantity
SXBOIL	Side bracket with Velcro	1



Pack of 10 shelf anchor strips, 10 grub screws and an Allen key. Components used to adjust shelf within intermediate profile.

Part No.	Description	Quantity
KXBOI	10 shelf anchors, 10 grub screws, Allen key	1