

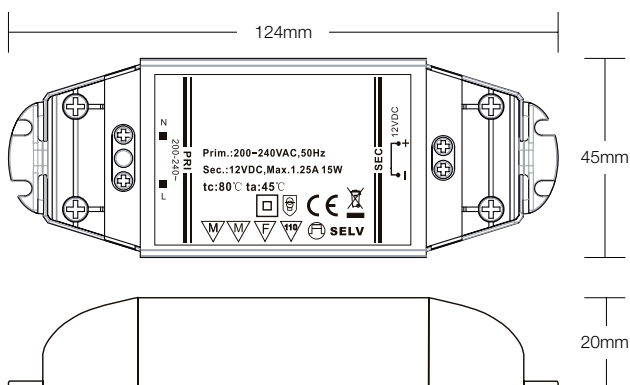
15W LED Driver



Key Features

- Constant Voltage LED Driver
- Input Voltage: 200 – 240Vac
- Input Frequency: 50Hz
- Output Power: 15W
- Compact and light-weight plastic case
- Working Temperature: -20C to +45C
- Protections: Short circuit/ Overload/ Over Temp.
- 3 year warranty

Dimensions



Specification

MODEL	ECP15-12VL	
OUTPUT	RATED VOLTAGE	12V
	VOLTAGE ACCURACY	±5%
	CURRENT RANGE	0-1.25A
	RATED POWER	15W
INPUT	VOLTAGE RANGE	180-264VAC
	FREQUENCY RANGE	50-60Hz
	POWER FACTOR	≥0.5
	EFFICIENCY	≥82%
	INRUSH CURRENT (typ.)	70A at 230VAC
	NO LOAD POWER CONSUMPTION	<0.3W
PROTECTION	SHORT CIRCUIT	Hiccup mode, recovers automatically after fault condition is removed
	OVERLOAD	>110% rated output power Hiccup mode, recovers automatically after fault condition is removed
ENVIRONMENT	WORKING TEMP	-20°C – 45°C
	WORKING HUMIDITY	45-85%
SAFETY & EMC	SAFETY STANDARDS	EN61347-1, EN6147-2-13
	EMC EMISSION	EN55015
	EMC IMMUNITY	EN61547
OTHER	DIMENSIONS	124 x 45 x 20mm

