

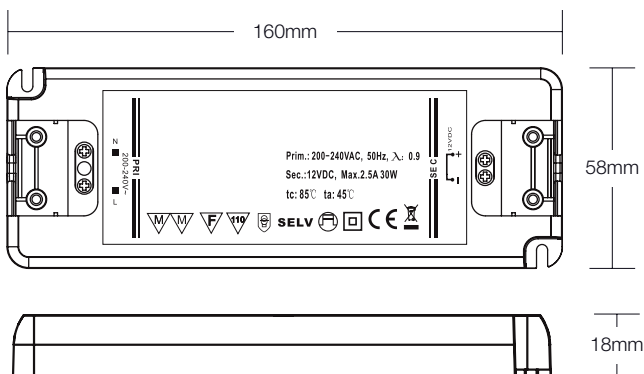
# 30W LED Driver



## Key Features

- Constant Voltage LED Driver
- Input Voltage: 200 – 240Vac
- Input Frequency: 50Hz
- Output Power: 30W
- Built-in PFC function: ( $\geq 0.9$ )
- Low profile and light-weight plastic case
- Working Temperature:  $-20^{\circ}\text{C}$  to  $+45^{\circ}\text{C}$
- Protections: Short circuit/Overload/Over Temp.
- 3 year warranty

## Dimensions



## Specification

MODEL	ECP30-12VF	
OUTPUT	RATED VOLTAGE	12V
	VOLTAGE ACCURACY	$\pm 5\%$
	CURRENT RANGE	0-2.5A
	RATED POWER	30W
INPUT	VOLTAGE RANGE	180-264VAC
	FREQUENCY RANGE	50-60Hz
	POWER FACTOR	$\geq 0.9$
	EFFICIENCY	$\geq 81\%$
	INRUSH CURRENT (typ.)	50A at 230VAC
	NO LOAD POWER CONSUMPTION	$< 0.5\text{W}$
PROTECTION	SHORT CIRCUIT	Hiccup mode, recovers automatically after fault condition is removed
	OVERLOAD	$> 110\%$ rated output power Hiccup mode, recovers automatically after fault condition is removed
ENVIRONMENT	WORKING TEMP	$-20^{\circ}\text{C}$ – $45^{\circ}\text{C}$
	WORKING HUMIDITY	45-85%
SAFETY & EMC	SAFETY STANDARDS	EN61347-1, EN61347-2-13
	EMC EMISSION	EN55015
	EMC IMMUNITY	EN61547; EM61000-3-2; EN61000-3-3
OTHER	DIMENSIONS	160 x 58 x 18mm

